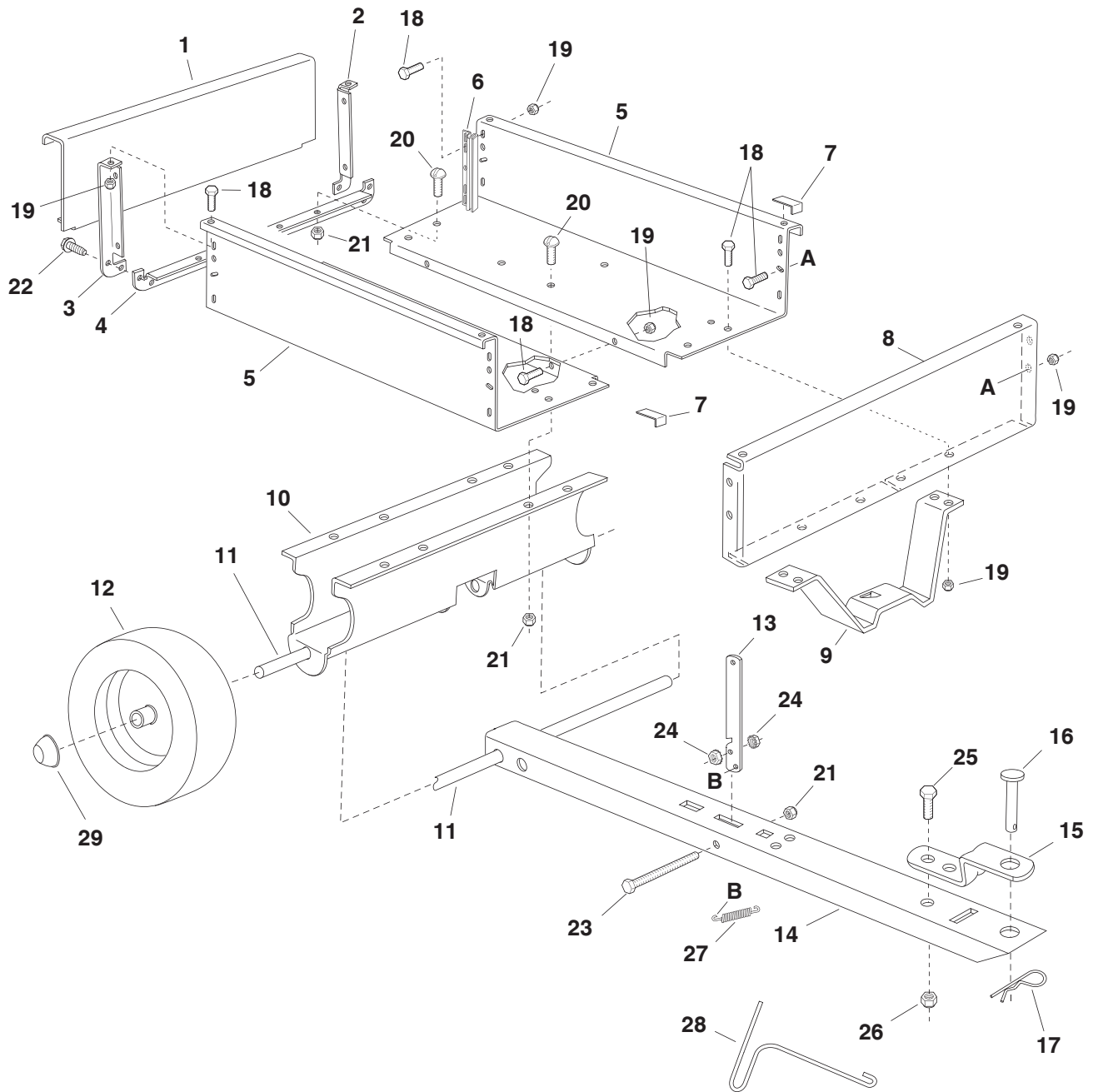


REPAIR PARTS FOR 45-0303 UTILITY CART



REPAIR PARTS LIST FOR 45-0303 UTILITY CART

REF. NO.	PART NO.	QTY.	DESCRIPTION
1	24907	1	Tailgate
2	24143	1	Left Rear Angle
3	24144	1	Right Rear Angle
4	24142	1	Lower Rear Angle
5	23912	2	Cart Body
6	23548	2	Guide, Tailgate
7	48789	2	Cap, Front Corner
8	24906	1	Front Panel
9	24497	1	Latch Stand Bracket
10	24909	1	Wheel Support
11	24908	1	Axle
12	48497	2	Wheel
13	24498	1	Latch Lock Lever
14	24948	1	Draw Bar Tongue
15	23014	1	Hitch Bracket
16	47623	1	Hitch Pin
17	43343	1	Hair Cotter Pin, 1/8" (#4) *
18	43012	18	Hex Bolt, 1/4-20 x 3/4" *
19	47189	18	Nylock Nut, 1/4-20
20	43814	12	Slit. Truss Hd. Bolt, 5/16-18 x 3/4" Lg.*
21	47810	13	Nylock Nut, 5/16-18
22	47630	4	Bolt, Self Tapping 5/16-18 x 3/4"
23	47407	1	Hex Bolt, 5/16-18 x 4"
24	46980	2	Hex Nut, 5/16-18 (SEMS)
25	43001	1	Hex Bolt, 3/8-16 x 1" Lg. *
26	HA21362	1	Nylock Nut, 3/8-16*
27	47408	1	Extension Spring
28	47622	1	Spring Puller Tool
29	48499	2	Hub Cap
	48498	1	Owner's Manual

* Purchase Common Hardware Locally

SpeedPart *the fastest way to purchase parts* www.speedpart.com